

# Revio wall station

## Installation guide

### Introduction

#### Welcome

The iLumin Revio wall station from Cooper Controls artfully combines understated elegance with high functionality. Barely larger than a standard switchplate, this sleek, backlit panel allows you to instantly call up pre-programmed lighting scenes. The rotary dial can be used to adjust the intensity of a chosen scene. An optional infra-red remote control allows similar functionality from anywhere within the room via the detector built into the front panel of the Revio wall station. All control signals are transmitted to the source controller(s) using robust iCANNet connections. A range of standard insert sheets or custom versions can be created, as necessary.

#### Controls

##### Scene selection

- Press a scene button to select a scene (the button will illuminate).
- Turn the rotary dial to raise or lower the scene level.
- Use the on/off button (in the center of the rotary dial) to switch all lights off (the function of the button can also be altered to affect only certain areas). When the button is pressed again, the last selected scene will be resumed.

##### Zone function

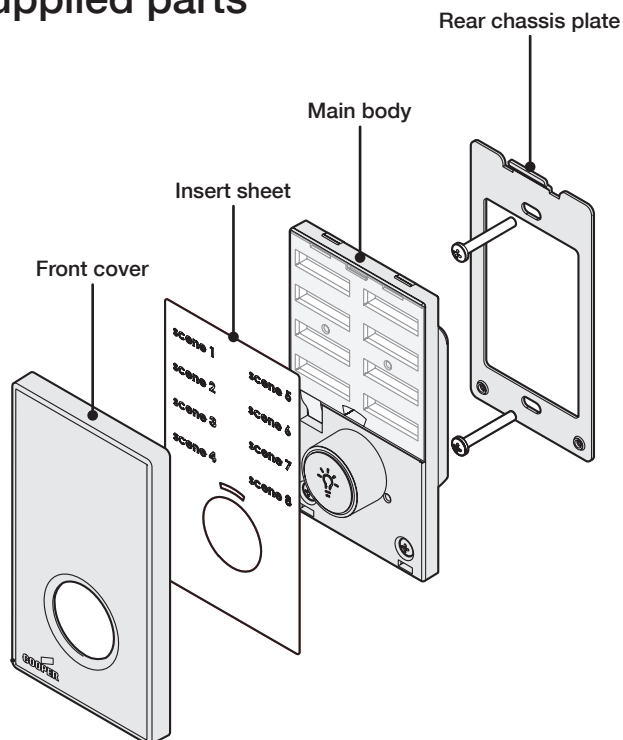
Where certain buttons are programmed to control zones:

- Press a zone button to select a zone (the button will flash).
- Turn the rotary dial to raise or lower the zone level.
- Use the on/off button to switch the zone on and off.
- Press a scene button to override previous zone settings, unless ignore has been programmed for that particular zone.
- The zone function will timeout after ten seconds.

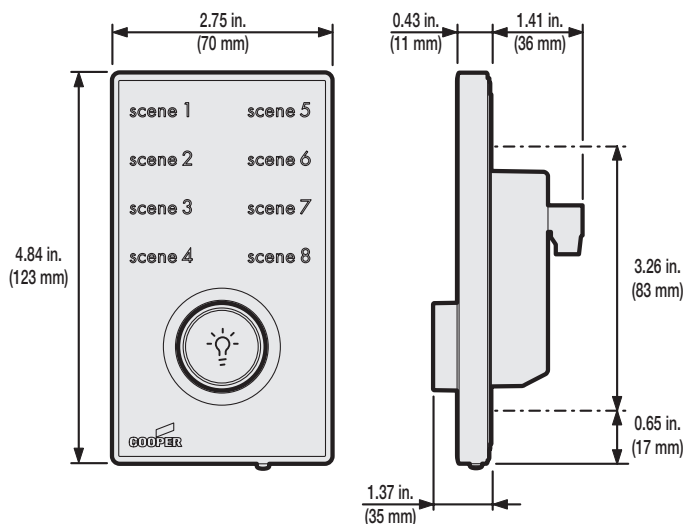
##### Cleaner switch

On the underside of the front cover, there is a small concealed press switch. Press the switch to isolate the scene selectors for ten seconds. This action also sends a 'hello' message to the network to assist with device identification - this does not interfere with the operation of the wall station or the rest of the system.

### Supplied parts



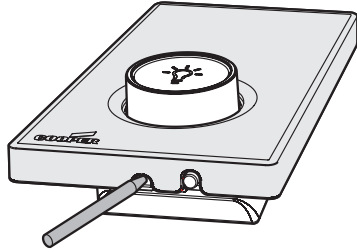
### Dimensions



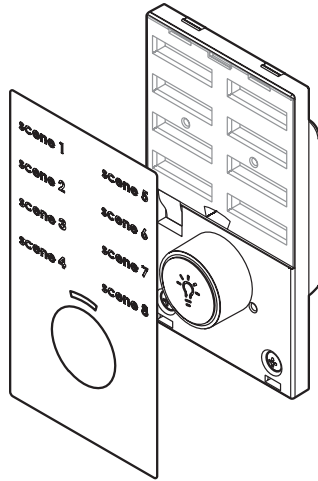
The Revio wall station is intended to fit into a single gang wall box with a minimum internal depth of 2 in. (51 mm).

## Disassembling the wall station

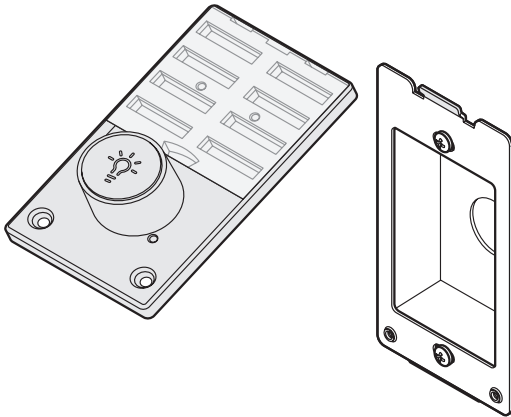
1. On the underside of the front cover, beneath the rotary dial, locate the small central recess. Carefully insert a small implement (such as a pen or screwdriver) into the recess and lever the front cover gently away from the main body.



2. Unclip the front cover from the top of the main body.
3. With the front cover removed, lift off the insert sheet.



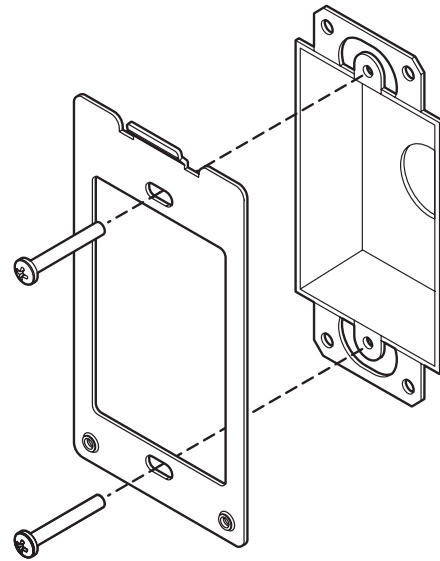
4. Remove the two retaining screws located just below the rotary dial and lift the base of the main body away from the rear chassis plate until it disengages.



5. Store all removed parts safe from damage.

## Fixing to a wallbox

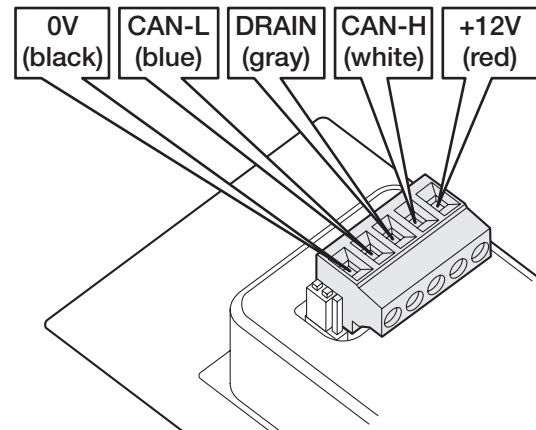
The Revio wall station is intended to fit into a single gang wallbox with a minimum internal depth of 2 in. (51 mm). With the Revio wall station disassembled, use the two supplied long screws to secure the rear chassis plate to the wallbox.



## Control wiring

The Revio wall station uses iCANnet connections to ensure reliable and responsive transfer of control signals between multiple devices.

Cable connections are made to a removable 5-way connector block located at the rear of the Revio wall station main body:

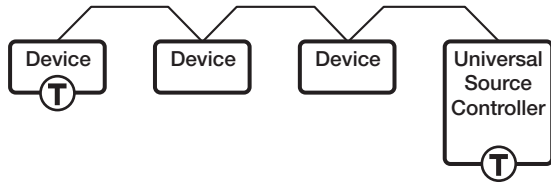


- |                       |                                  |
|-----------------------|----------------------------------|
| Cable type:           | Belden™ 1502P or similar         |
| Maximum cable length: | 1000 ft. (305 m) *               |
| Devices per segment:  | 100 (without bridge or repeater) |

\* A maximum segment distance of 1000m/3200ft is possible if an additional 12V power supply is used.

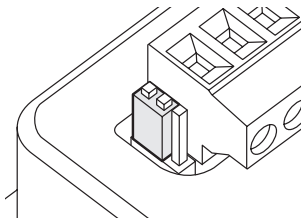
## Termination

The iCANnet link is a 'daisy chain' protocol that requires termination on the devices located at either end of the chain.

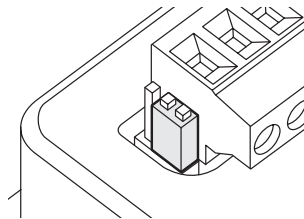


The Revio wall station is supplied with termination enabled as standard. If the Revio wall station is not connected as an end device in the chain, you need to disable termination.

To disable termination, move the jumper from the upper two pins to the lower two pins, as shown here:



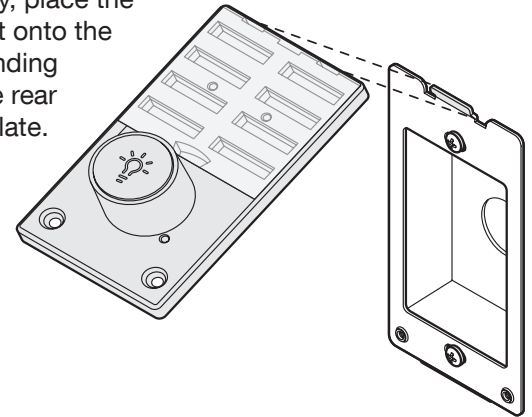
Termination on



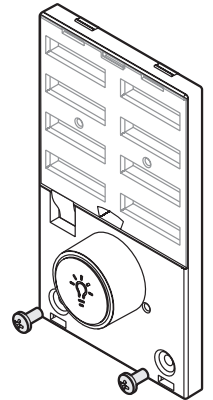
Termination off

## Reassembling the wall station

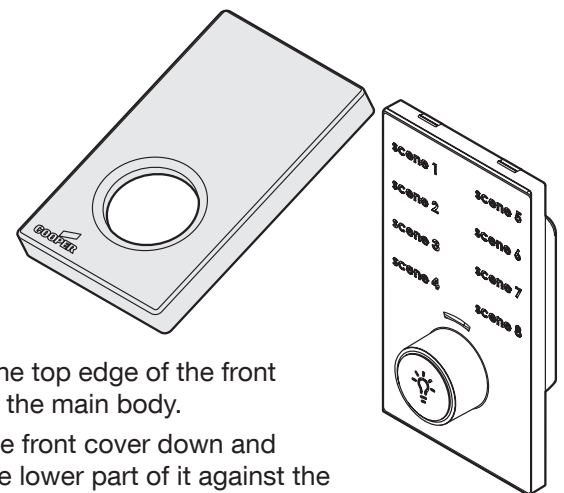
1. Locate the upper slot on the rear of the wall station main body, place the upper slot onto the corresponding 'lip' of the rear chassis plate.



2. Angle the lower part of the main body down so that it fits closely against the rear chassis plate.
3. Insert and lightly tighten the two retaining screws.



4. Place the insert sheet into position.

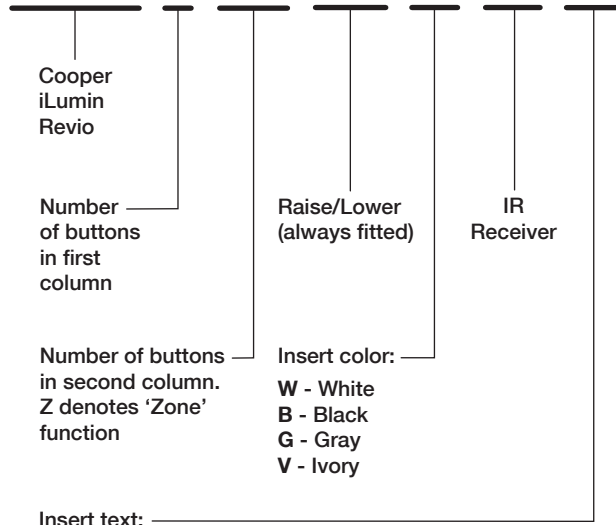


5. Attach the top edge of the front cover to the main body.
6. Angle the front cover down and press the lower part of it against the main body until it clicks into place.

## Model numbers

Each model is specified using a part number in the following format:

CL V 4 4Z RL W IR T1



*Blank* Scene 1, Scene 2, etc.  
**T1** Preset 1, Preset 2, etc.  
**T2** General, Meeting, Seminar, Lecture  
**T3** Lunch, Cocktails, Dinner, Special

## Ambient atmosphere requirements

Temperature 32°F to 104°F (0°C to +40°C)

Humidity 0 to 95% non-condensing

All products manufactured by Cooper Controls and identified with the iLumin brand are warranted to be free from defects in material and workmanship and shall conform to and perform in accordance with Seller's written specifications for a period of :

Five (5) years from date of shipment for all occupancy sensors and Two (2) years from date of factory invoice for our hardware and software on Lighting Control Panels.

We warranty all our standard relays for a period of 10 years from date of factory invoice. We guarantee the performance of our system to specifications of your money back.

This warranty will be limited to the repair or replacement, at Seller's discretion, of any such goods found to be defective, upon their authorized return to Seller. This limited warranty does not apply if the goods have been damaged by accident, abuse, misuse, modification or misapplication, by damage during shipment or by improper service.

There are no warranties, which extend beyond the hereinabove-limited warranty, INCLUDING, BUT NOT LIMITED TO, THE IMPLIED WARRANTY OF MERCHANTABILITY AND THE IMPLIED WARRANTY OF FITNESS.

No employee, agent, dealer, or other person is authorized to give any warranties on behalf of the Seller or to assume for the Seller any other liability in connection with any of its goods except in writing and signed by the Seller. The Seller makes no representation that the goods comply with any present or future federal, state or local regulation or ordinance. Compliance is the Buyer's responsibility.

The use of the Seller's goods should be in accordance with the provision of the National Electrical Code, UL and/or other industry or military standards that are pertinent to the particular end use. Installation or use not in accordance with these codes and standards could be hazardous.

Document 73-888-00 IM8504 Iss.01

**Cooper Controls**  
203 Cooper Circle, Peachtree, GA 30269  
800-553-3879 www.coopercontrol.com

 **COOPER Controls**