

TSC-30 Color Touchscreen

Installation guide

Introduction

Welcome

The iLumin TSC-30 Color Touchscreen from Cooper Controls delivers the smartest and most flexible room control solution available. Operation centers upon the 3.5" color LCD screen which occupies a full two thirds of the faceplate. All displayed graphics and touch responses are fully programmable, which means that the TSC-30 can meet all of your current requirements and also be easily altered at any time in the future. All control signals are transmitted to the source controller(s) using robust iCANnet connections.

Model numbers

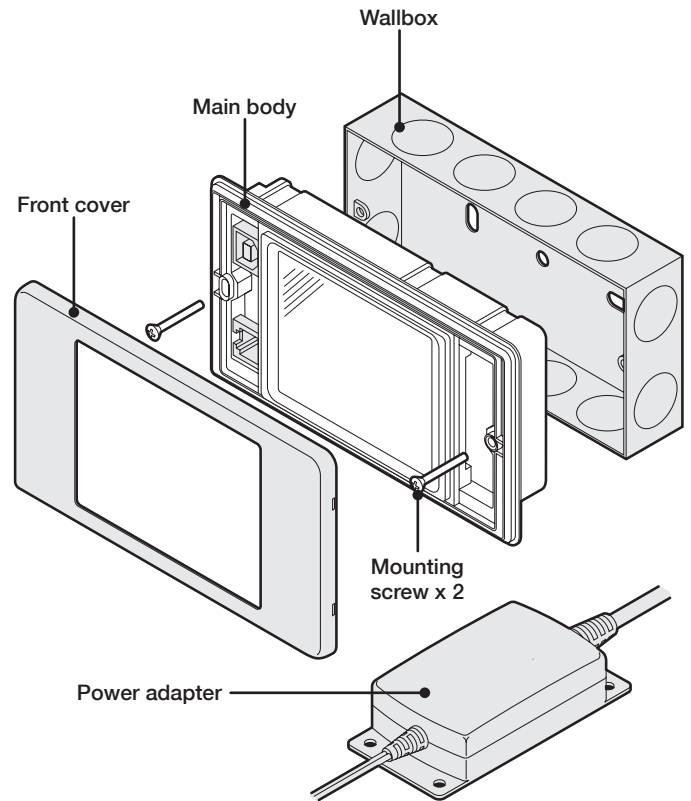
The TSC-30 Color Touchscreen is available in the following variants:

- TSC-30-W-NA 3.5" Color Touchscreen, White
- TSC-30-B-NA 3.5" Color Touchscreen, Black
- TSC-30-G-NA 3.5" Color Touchscreen, Gray
- TSC-30-V-NA 3.5" Color Touchscreen, Ivory

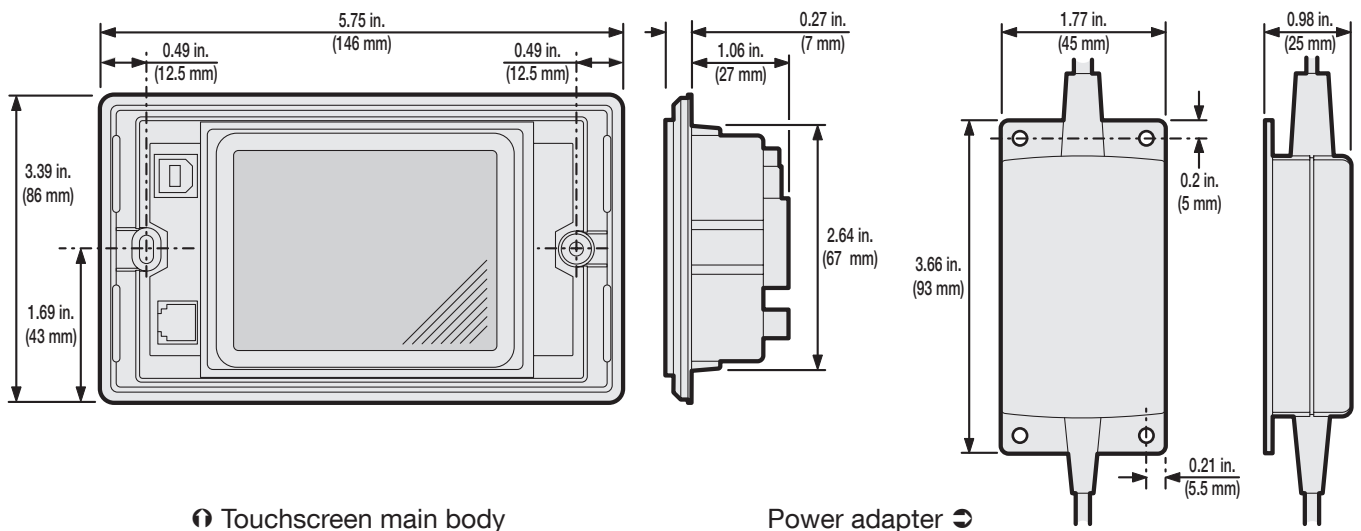
Ambient atmosphere requirements

- Temperature 32°F to 104°F (0°C to +40°C)
- Humidity 0 to 95% non-condensing

Supplied parts

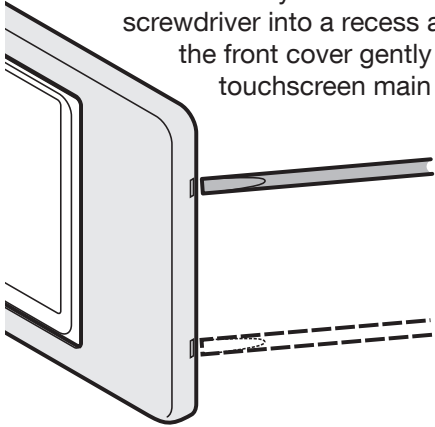


Dimensions

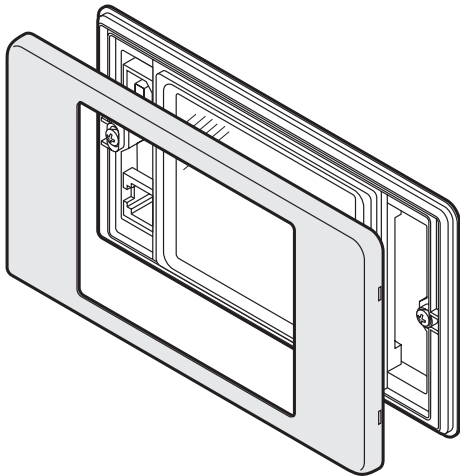


Disassembling the touchscreen

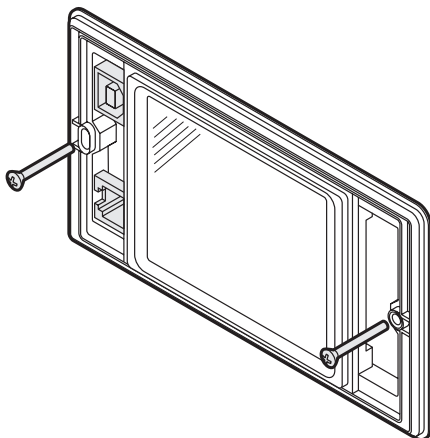
1. At either side of the front cover, locate two small recesses. Carefully insert a small flatblade screwdriver into a recess and twist to prise the front cover gently away from the touchscreen main body.



2. Carefully unclip and remove the front cover from the main body.



3. Remove the two retaining screws located at either side of the main body.

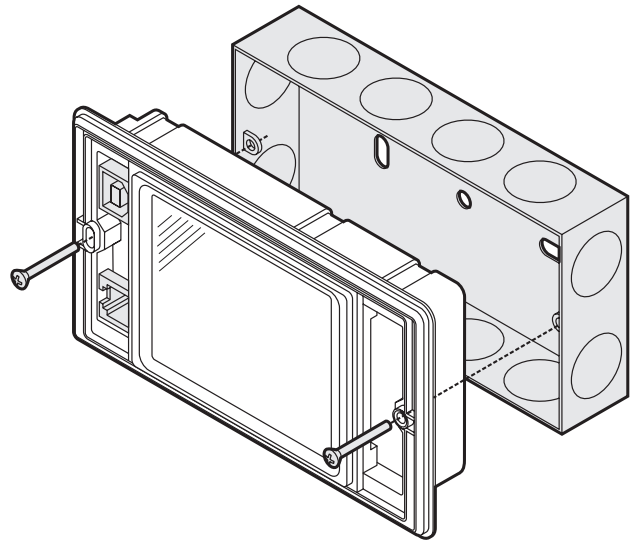


4. Store all removed parts safe from damage.

Fixing to a wallbox

The TSC-30 Color Touchscreen is supplied with a suitable double gang wallbox.

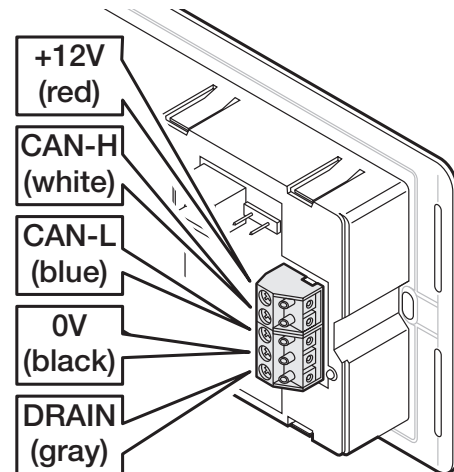
With the touchscreen front cover removed (see left), use the two screws to secure the rear chassis plate to the supplied wallbox.



Control wiring

The TSC-30 Color Touchscreen uses iCANnet connections to ensure reliable and responsive transfer of control signals between multiple devices.

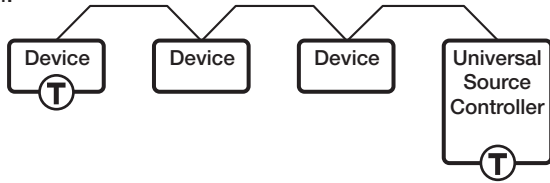
Cable connections are made to a removable 5-way connector block located at the rear of the touchscreen main body (see also 'Termination' opposite):



Cable type: Belden™ 1502P or similar
Maximum cable length: 2000 ft. (610 m)
Devices per segment: 100 (without bridge or repeater)

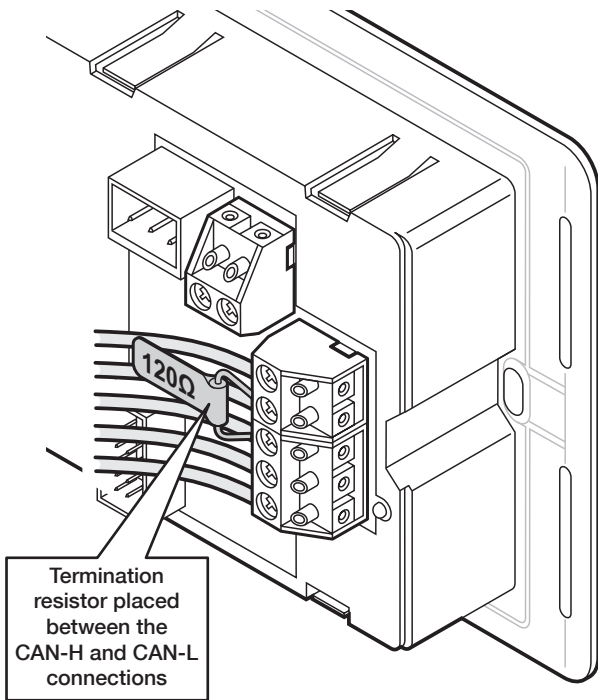
Termination

The iCANnet link is a 'daisy chain' protocol that requires termination on the devices located at either end of the chain.



The TSC-30 Color Touchscreen is supplied with a termination resistor as standard. If the touchscreen is not connected as an end device in the chain, you need to remove the termination resistor.

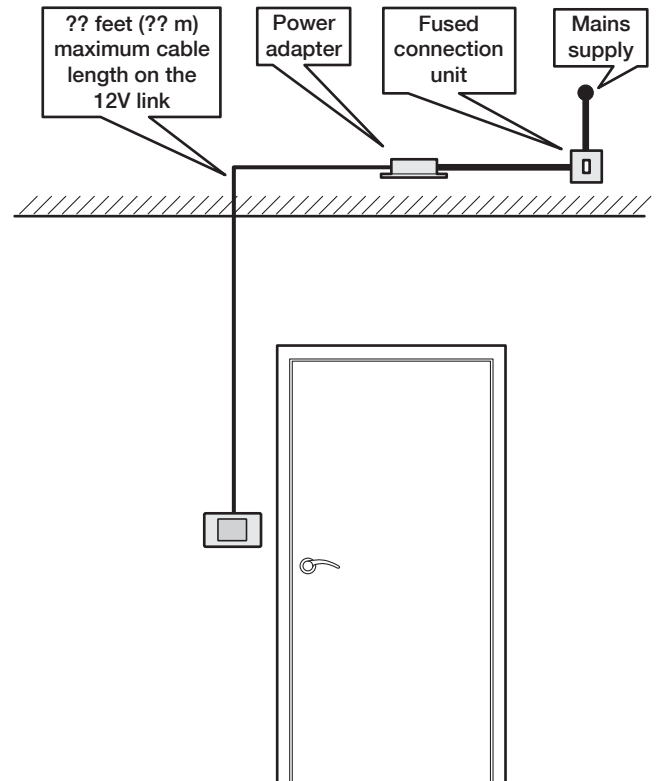
When fitted, the termination resistor must link between the CAN-H and the CAN-L connections.



Power

The TSC-30 Color Touchscreen derives its power from the supplied power adapter, not from the iCANnet link. The power adapter must be installed in close proximity to the touchscreen in an accessible location and requires a permanent fused mains supply.

The power adapter is provided with 6 feet (1.83 m) of cable on the low voltage side. If this link must be extended then use a minimum cable specification of ?? AWG (1.5mm²) to minimize the voltage drop. Ensure that the total length of cable from the power adapter to the touchscreen does not exceed ?? feet (?? m).



Mains power in
100 - 240VAC
0.3A

Note: If extending the low voltage output from the power adapter, ensure that the correct polarity is maintained through to the touchscreen unit.

Power adapter

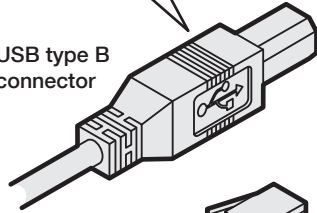
+12V Positive wire from power adapter marked with dashed line

Programming connections

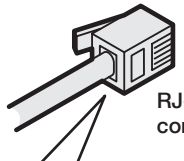
In addition to the power and iCANnet connections located at the rear of the unit, the TSC-30 Color Touchscreen also provides two sockets at its front panel. These are accessible when the front cover is removed and are used as follows:

USB connection: Used to download background images, button layouts, button behaviors and sequences into the touchscreen memory from a PC running the iCANsoft application.

USB type B connector



RJ-12 connector

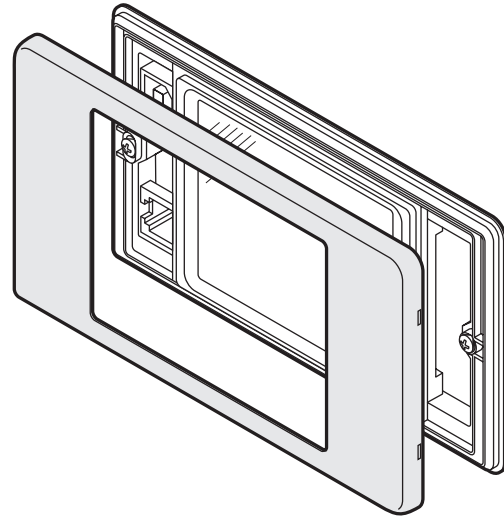


Serial connection: Used to gain access via the touchscreen to the iCANnet network. This allows general programming of various aspects of the network, as a whole, via a PC running the iCANsoft application.

For further details about programming the TSC-30 Color Touchscreen, please refer to the System Manual.

Reassembling the touchscreen

1. With the main body fixed to the wallbox, carefully place on the front cover until it clicks into place.



All products manufactured by Cooper Controls and identified with the iLumin brand are warranted to be free from defects in material and workmanship and shall conform to and perform in accordance with Seller's written specifications for a period of :

Five (5) years from date of shipment for all occupancy sensors and Two (2) years from date of factory invoice for our hardware and software on Lighting Control Panels.

We warranty all our standard relays for a period of 10 years from date of factory invoice. We guarantee the performance of our system to specifications of your money back.

This warranty will be limited to the repair or replacement, at Seller's discretion, of any such goods found to be defective, upon their authorized return to Seller. This limited warranty does not apply if the goods have been damaged by accident, abuse, misuse, modification or misapplication, by damage during shipment or by improper service.

There are no warranties, which extend beyond the hereinabove-limited warranty, INCLUDING, BUT NOT LIMITED TO, THE IMPLIED WARRANTY OF MERCHANTABILITY AND THE IMPLIED WARRANTY OF FITNESS.

No employee, agent, dealer, or other person is authorized to give any warranties on behalf of the Seller or to assume for the Seller any other liability in connection with any of its goods except in writing and signed by the Seller. The Seller makes no representation that the goods comply with any present or future federal, state or local regulation or ordinance. Compliance is the Buyer's responsibility.

The use of the Seller's goods should be in accordance with the provision of the National Electrical Code, UL and/or other industry or military standards that are pertinent to the particular end use. Installation or use not in accordance with these codes and standards could be hazardous.

Document ??-???-00 IM???? Iss.01 [DRAFT 0.1a]

Cooper Controls

203 Cooper Circle, Peachtree, GA 30269
800-553-3879 www.coopercontrol.com