

## General set up

- 1 Mount the fixture in the required position using the supplied combi yoke or optional floor plate set (p/n: SSFLP).

### Important

- When suspended off ground, always use safety wires rated to a minimum of 53kg (117lbs) at both ends of the fixture through the safety wire holes.
- Do not position the fixture close to fog machines. The fog oil mist will be drawn in by the cooling fans and will short out important components. The warranty will be void for all fixtures returned in such a condition.

- 2 Connect the power in and DMX in connectors at the left end of the fixture.

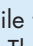

- 3 Where multiple fixtures are to be daisy-chained, connect power out and DMX cables at the right end of the fixture.

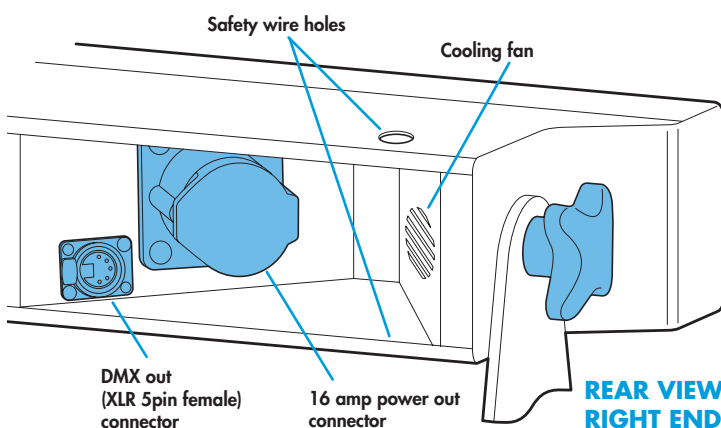
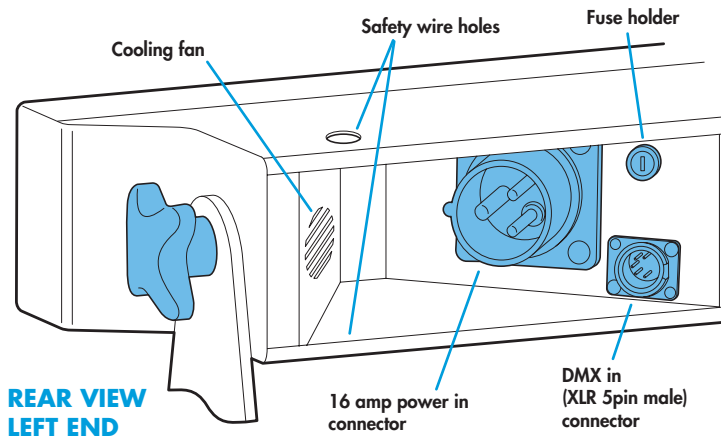
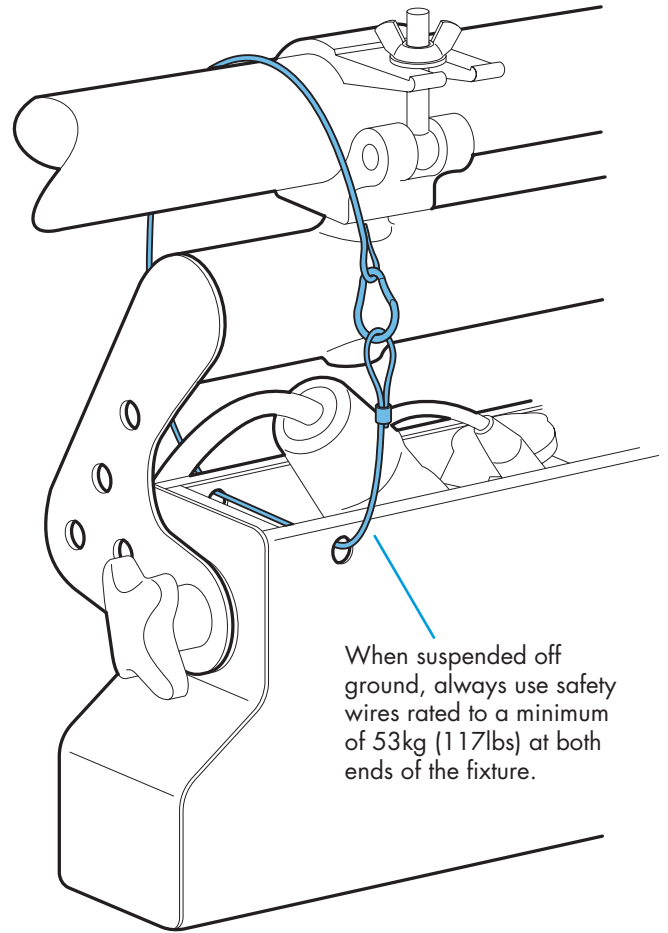
### Important

- When daisy-chaining fixtures, do not exceed a total load of 3kW in a single daisy chain (subject to supply and cabling restrictions). Each PixelLine 110 fixture has a maximum power requirement of 300 watts.

- 4 When all fixtures are connected, apply power.

- 5 Use the control panel to access the internal menu and choose the appropriate operation mode and related settings (see over).

- To optionally clear all previous settings: At the rear panel, press the middle two buttons (  and  ) while the DMX address is displayed (e.g. *ADD 1*, *ADD 2*, etc). The four digit display will show *FAC T* then *SET* to indicate that the fixture has been returned to its default condition.



## Operation modes

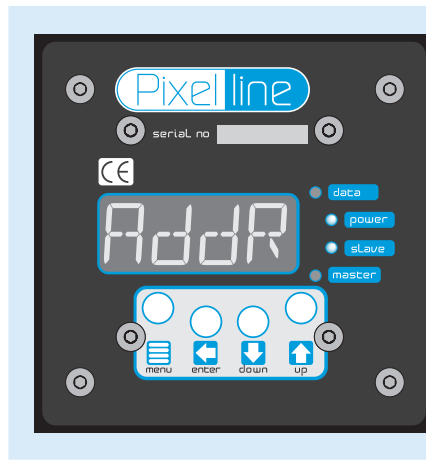
The PixelLine 110 provides a range of operation modes. These are selected using the *ModE* section of the control menu:

- DMX** Allows RGBA control of all cells via DMX input. Using the *RES* (resolution) option you can determine the number of DMX channels required, from 20 channels down to just 3 (the cell sizes and colour permutations are adjusted accordingly). Internal chase effects are not available within this mode.
- MANU** Provides RGBA colour mixing independently of any external control. Use the internal control menu (*MAN* section) to select the required colour values.
- EF M** Allows the display of the dual internal chase effects, independently of any external control. Use the internal control menu (*PRG* section) to select the required chase effects, speeds and cross fades.
- 20+E** Provides control of RGBA mixing on all 5 cells and selection of the dual internal chase effects via DMX input. Requires 27 DMX channels.
- 4+E** Provides control of RGBA mixing (the whole fixture acts as a single cell) and selection of the dual internal chase effects via DMX input. Requires 11 DMX channels.

PixelLine 110 personalities are available for a variety of controllers. Please see [www.pixelrange.co.uk](http://www.pixelrange.co.uk) for details.

## General notes

- Ensure that only one DMX device in the chain is set as master (e.g. the lighting desk). The fixture is usually set to slave mode **Slave**.
- The fixture is shipped with the DMX address set to **001**.
- If the fixture is used as a master, DMX transmission will only occur when the DMX address is displayed (e.g. **0001**, **0002**, etc).
- The four digit display can be set to fade out after 60 seconds, press **Menu** to resume. To alter this mode: **PERS > DISP**.



## Using the control menu

- When not in the menu, the four digit display shows the current DMX address e.g. **0001**
- Press **Menu** to enter the menu. The four digit display will show **Addr**.
- Use **Down** and **Up** to move between menu options (or to change a value within an option).
- Press **Enter** to enter an option (or to fix a changed value within an option and return to the previous option level). *Note: If you do not press **Enter** to fix a value, operation will revert to the previously set mode at the next power on.*
- Press **Menu** to exit from a menu option (and eventually exit the menu completely).

## Chase effects

This section describes each of the 31 internal chase effects that are selectable either via the control menu (**PRES > C 1/2 > EFEC**) or using DMX values sent from an external source. To use the internal effects, set the **Mode** option either to **EF M** (to control effects via the menu) or **4+E** or **20+E** (to control effects externally via DMX).

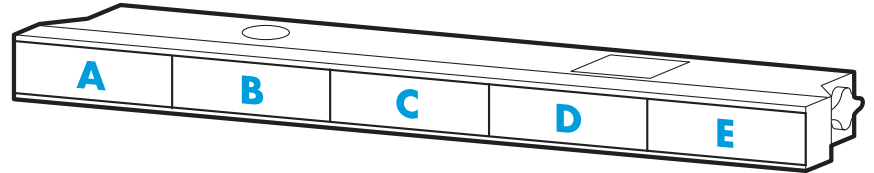
### DMX value EFEC Chase effect description

DMX value	EFEC value	Chase effect description
0-7	00	Off
8-15	01	Rainbow chase forward
16-23	02	Rainbow chase reverse
24-31	03	White single cell chase forward
32-39	04	White single cell chase reverse
40-47	05	Double bouncing cells - centre to edge
48-55	06	50/50 duty cycle strobe white
56-63	07	50/50 duty cycle strobe red
64-71	08	50/50 duty cycle strobe blue
72-79	09	50/50 duty cycle strobe yellow
80-87	10	50/50 duty cycle strobe green
88-95	11	Pulse strobe white
96-103	12	Pulse strobe blue
104-111	13	Pulse strobe rainbow
112-119	14	Pulse strobe red/green/blue
120-127	15	Primary/secondary chase
128-135	16	Rainbow chase
136-143	17	Yellow/blue chase
144-151	18	Red/green/blue wipe
152-159	19	Yellow/blue alternate cell chase
160-167	20	Red/blue alternate cell chase
168-175	21	Red/green chase
176-183	22	Red wipe
184-191	23	Green wipe
192-199	24	Blue wipe
200-207	25	Static orange
208-215	26	Static yellow
216-223	27	Static light blue
224-231	28	Static purple
232-239	29	Static red
240-247	30	Static green
248-255	31	Static blue

## DMX channel and cell layouts

This section shows the different ways, when using **dm111** mode, that the 5 cells can be mapped to varying numbers of DMX channels using the **PERS > RES** option.

The first channel of the fixture occurs at the DMX address selected using **Addr** and successive channels for the fixture follow from there.



Cells	PERS > RES = 20CH	PERS > RES = 15CH	PERS > RES = 4CH	PERS > RES = 3CH
A	R	R+A	R	R+A
B	G	G	G	G
C	B	B	B	B
D	A	A	A	A
E	Master intensity*	Master intensity*	Master intensity*	Master intensity*
	1 2 3 4	1 2 3	1 2 3 4	1 2 3
	5 6 7 8	4 5 6		
	9 10 11 12	7 8 9		
	13 14 15 16	10 11 12		
	17 18 19 20	13 14 15		
	21	16	5	4

(\* Mode **dm111** only, when **PERS > MINT** is set to **off**)


Mode **20+E** uses the same RGBA mapping as the **20CH** layout and mode **4+E** uses the same RGBA mapping as the **4CH** layout, however, the master intensity channels for these modes are different. The **20+E** and **4+E** modes also use additional channels for control of internal chase effects (see below).

## Chase effects and master intensity channel layouts

The table below shows how the chase effects and master intensity controls are mapped to DMX channels for the **20+E** and **4+E** modes. Mode **dm111** does not use chase effects. The first channel of the fixture occurs at the DMX address selected using **Addr** and successive channels for the fixture follow from there.

Control	20+E	4+E
C 1 Effect	Ch21	Ch5
C 1 Speed	Ch22	Ch6
C 1 Xfade	Ch23	Ch7
C 2 Effect	Ch24	Ch8
C 2 Speed	Ch25	Ch9
C 2 Xfade	Ch26	Ch10
Master intensity	Ch27	Ch11

## Control menu contents

<div style="margin-bottom: 10px;">  </div> <div style="margin-bottom: 10px;"> <b>Addr</b> — DMX — 001         </div>	<p>Sets the base DMX address from which the control channels will begin.</p>
<div style="margin-bottom: 10px;"> <b>INfO</b> — VER — CPU — 1 01         </div> <div style="margin-bottom: 10px;"> <div style="margin-left: 20px;">DISP — 1 00</div> </div>	<p>Shows the main processor software revision. No changes are possible within this option.</p> <p>Shows the display controller software revision. No changes are possible within this option.</p>
<div style="margin-bottom: 10px;"> <b>PRoG</b> — C 1 — EFEC — 00         </div> <div style="margin-bottom: 10px;"> <div style="margin-left: 20px;">XFAD — 000</div> </div> <div style="margin-bottom: 10px;"> <div style="margin-left: 20px;">SPED — 000</div> </div> <div style="margin-bottom: 10px;"> <div style="margin-left: 20px;">LEV L — 255</div> </div> <div style="margin-bottom: 10px;"> <div style="margin-left: 20px;">C2 — EFEC — 00         </div> <div style="margin-left: 40px;">XFAD — 000</div> <div style="margin-left: 40px;">SPED — 000</div> </div>	<p>Selects the primary internal chase effect. See <i>Chase effects</i> for descriptions. Select <b>ModE</b> &gt; <b>EF M</b> to show the selected chase.</p> <p>Selects the cross fade speed between the steps of the selected C 1 chase effect.</p> <p>Selects the speed of the selected C 1 chase effect.</p> <p>Selects the master intensity level of chase effects C 1 and C2.</p> <p>Selects the secondary internal chase effect. See <i>Chase effects</i> for descriptions. Select <b>ModE</b> &gt; <b>EF M</b> to show the selected chase.</p> <p>Selects the cross fade speed between the steps of the selected C2 chase effect.</p> <p>Selects the speed of the selected C2 chase effect.</p>
<div style="margin-bottom: 10px;"> <b>MAN</b> — RED — 255         </div> <div style="margin-bottom: 10px;"> <div style="margin-left: 20px;">AMBR — 255</div> </div> <div style="margin-bottom: 10px;"> <div style="margin-left: 20px;">GRN — 255</div> </div> <div style="margin-bottom: 10px;"> <div style="margin-left: 20px;">BLUE — 255</div> </div>	<p>Sets the red intensity for all cells. Select <b>ModE</b> &gt; <b>MANU</b> (manual) to show the result.</p> <p>Sets the amber intensity for all cells. Select <b>ModE</b> &gt; <b>MANU</b> (manual) to show the result.</p> <p>Sets the green intensity for all cells. Select <b>ModE</b> &gt; <b>MANU</b> (manual) to show the result.</p> <p>Sets the blue intensity for all cells. Select <b>ModE</b> &gt; <b>MANU</b> (manual) to show the result.</p>
<div style="margin-bottom: 10px;"> <b>PERS</b> — RES — 20CH         </div> <div style="margin-bottom: 10px;"> <div style="margin-left: 20px;">DATA — SLAV         </div> </div> <div style="margin-bottom: 10px;"> <div style="margin-left: 20px;">MINT — OFF         </div> </div> <div style="margin-bottom: 10px;"> <div style="margin-left: 20px;">RSET — OFF         </div> </div> <div style="margin-bottom: 10px;"> <div style="margin-left: 20px;">DINT — 15         </div> </div> <div style="margin-bottom: 10px;"> <div style="margin-left: 20px;">DISP — ON         </div> </div>	<p><b>DMX</b> mode only. Selects number of DMX channels required to control RGB in all cells. Options range from 20 through 15, 4 and 3. Cell sizes &amp; colours are adjusted to suit.</p> <p>Determines whether this fixture will act as a master controlling others. When controlled via DMX this fixture must be set to <b>SLAV</b>.</p> <p><b>DMX</b> mode only. When set <b>ON</b>, this enables a master intensity at the channel that immediately follows the number set within the <b>PERS</b> &gt; <b>RES</b> option.</p> <p>When set <b>ON</b>, this option scrolls through the primary colours at power on to demonstrate correct operation.</p> <p>Determines the intensity of the four digit control panel display and blue status indicators. Values range from 0 (dimkest) to 15 (brightest).</p> <p>When set to <b>OFF</b>, the control panel display will blank out 60 seconds after the menu is exited. The blue status indicators will remain active.</p>
<div style="margin-bottom: 10px;"> <b>ModE</b> — DMX         </div> <div style="margin-bottom: 10px;"> <div style="margin-left: 20px;">MANU         </div> </div> <div style="margin-bottom: 10px;"> <div style="margin-left: 20px;">EF M         </div> </div> <div style="margin-bottom: 10px;"> <div style="margin-left: 20px;">20+E         </div> </div> <div style="margin-bottom: 10px;"> <div style="margin-left: 20px;">4+E         </div> </div>	<p>RGBA control for cells using variable DMX channels determined by <b>PERS</b> &gt; <b>RES</b> setting. <b>MINT</b> set <b>ON</b> provides master intensity. No chase effects are selectable.</p> <p>Displays the resulting RGBA levels (of all cells combined) that are set via the <b>MAN</b> section of the internal menu. External DMX control is not possible in this mode.</p> <p>Displays the chase effect(s) determined within the <b>PRoG</b> section. External DMX control is not possible in this mode.</p> <p>DMX Ch 1 to 20: RGBA for indiv. cells, Ch21 to 23: C1 Effect, Speed &amp; Xfade, Ch24 to 26: C2 Effect, Speed &amp; Xfade, Ch27: Master intensity.</p> <p>DMX Ch 1 to 4: RGBA for all cells, Ch5 to 7: C1 Effect, Speed &amp; Xfade, Ch8 to 10: C2 Effect, Speed &amp; Xfade, Ch11: Master intensity.</p>

## Troubleshooting

### Fixture remains at blackout when illumination expected

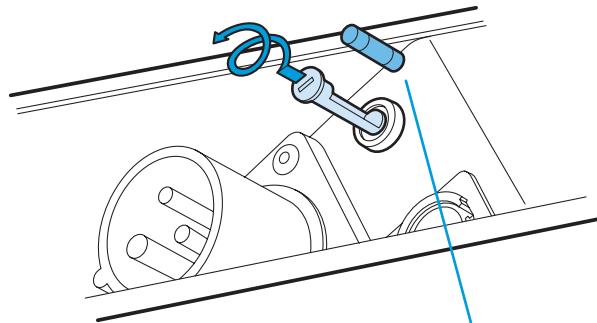
- The **power** indicator should be lit - if not, check the input power and fuse (see below).
- If live DMX is connected, the **data** indicator should be lit - if not, check the DMX cable and the desk output.
- Check that the selected **Mode** matches the desk personality being used.
- The master intensity channel for the current mode may be set at zero. For **dmx** mode, check the setting of **PERS > MINT**.
- Ensure that only one DMX device in the chain is set as master.
- Standalone chase effects: Effects programmed using **PRG > C 1** and **C 2** but the fixture is not in **Mode > EF M** mode. Check also that **PRG > LEVL** is not set at zero.
- Standalone RGB mixing: Colour values set within **MAN** section but the fixture is not in **Mode > MANU** mode.

### Unexpected cell illumination occurring

- When using **dmx** mode: Check the setting of **PERS > RES**. See the section "DMX channel and cell layouts" on page 2 for an explanation of the various resolution modes.

## Fuse access

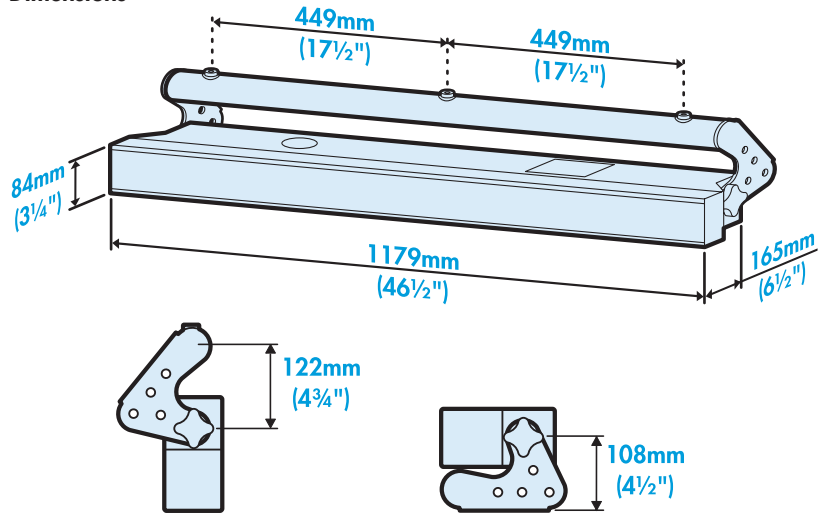
The single fuse is located next to the power and DMX input connectors. Use a small flat blade screw driver to twist the fuse holder anticlockwise until the carrier can be extracted to reveal the fuse.



Fuse type: 20mm 4A (T4AH)  
anti-surge, ceramic body

## Specifications

### Dimensions



### Weight

Fixture alone:	10.5kg (23 lbs)
With combi yoke:	11.7kg (25.8 lbs)

### Power

Input voltage:	100 to 250V AC, 50 to 60Hz autosensing	
Connectors:	16 amp CEE Form 2Pole+Earth (input & output)	
Power requirements:	@ 230V/50Hz	@ 120V/60Hz
Standby	10 watts	10 watts
Maximum (const.)	300 watts	300 watts
Start up (peak*)	128 amps	64 amps

\* The peak value occurs only at first power up and lasts only for a period measured in microseconds. Adjustments may need to be made to supply circuit breakers when multiple fixtures are daisy-chained, causing them all to draw the peak simultaneously.

### Approvals



### Miscellaneous

Enclosure rating:	IP20 (not protected against moisture ingress)
Control input:	USITT DMX512 (input connector pin out below)

